



## Specifications

Electrical Ratings	50mA @ 50VDC	Dielectric Strength	250Vrms min
Electrical Life	100,000 cycles typical	Insulation Resistance	>100MΩ min @ 500VDC
Contact Resistance	<50mΩ initial	Operating Temperature	-40°C to 85°C
Actuation Force	160 ± 100gF	Storage Temperature	-40°C to 85°C
	260 ± 100gF	Packaging Information	3,000 pieces per reel
	450 ± 100gF		

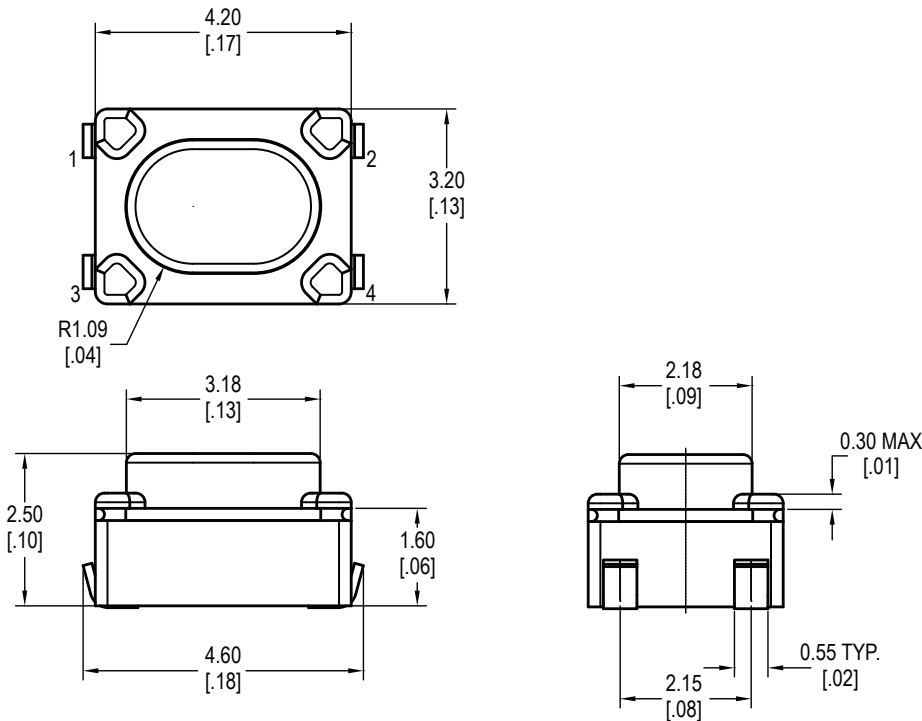
## Materials

Actuator	LCP
Housing	LCP
Cover	Stainless Steel
Contacts	Copper Alloy, Silver Plated
Terminals	Copper Alloy, Silver Plated

## Ordering Information

1. Series	CS1215	A	J	F160
CS1215				
2. Actuation Option	A = 2.50mm			
3. Terminal Option	J = J Lead			
4. Actuation Force	F160 = 160gF F260 = 260gF			

## Dimensions



## Schematic & PC Layout

