



Circuit Breaker with On/Off Capability

This unique circuit breaker consists of a thermal circuit breaker and a rocker switch style housing. When an overload conditions occurs, the contacts will break apart. By returning the actuator to the OFF position then back to ON, the circuit breaker mechanism will reset.

Specifications

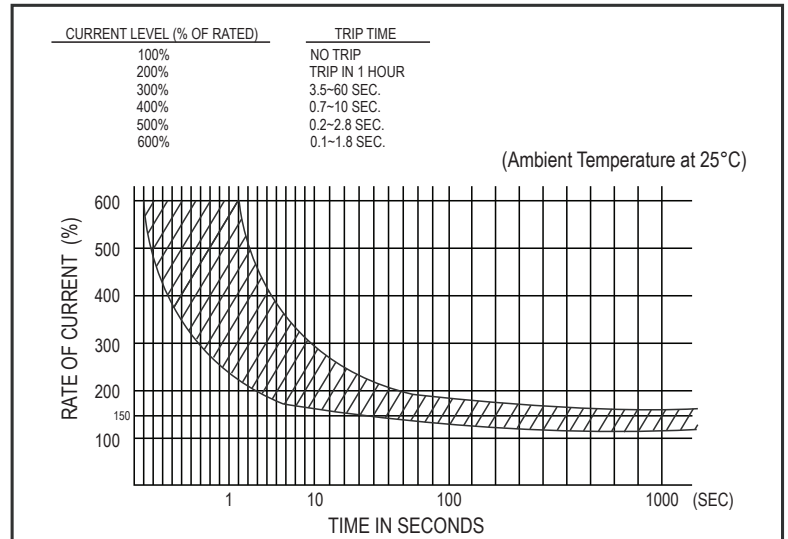
| | | | |
|---------------------|------------------------------------|-----------------------|-----------------------------------|
| Electrical Ratings | 3A~20A @ 125/250VAC | Insulation Resistance | >1000MΩ min |
| Electrical Life | 10,000 cycles typical | Interrupt Capacity | 2000A @ 125VAC; 1000A @ 250VAC |
| Contact Resistance | <30mΩ initial @ 2-4VDC, 100mA | Operating Temperature | -40°C to 85°C |
| Dielectric Strength | 3000Vrms min (terminal - terminal) | Storage Temperature | -40°C to 85°C |

Materials

| | |
|-----------|--------------------|
| Actuator | Poly Carbonate |
| Housing | Nylon |
| Rivets | Aluminum |
| Contacts | AgSnO ₂ |
| Terminals | Brass |

Trip Times / Current Levels

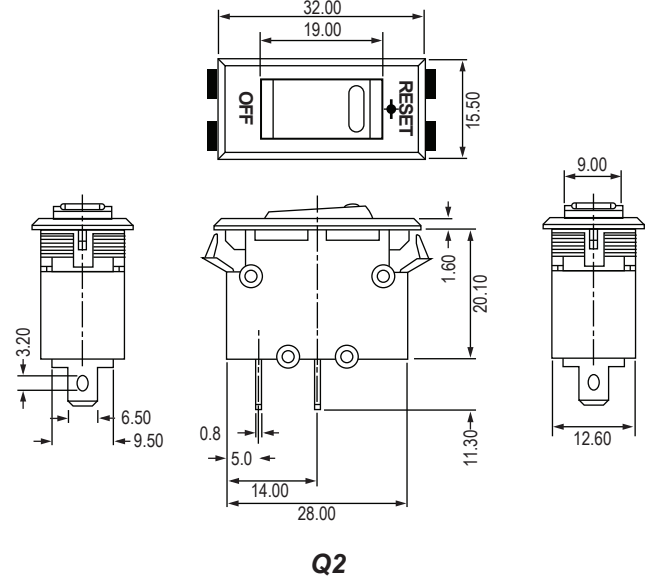
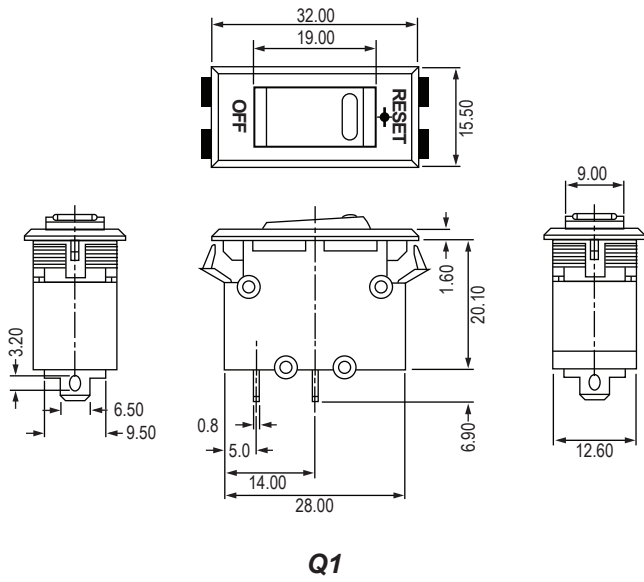
| % of Rated Current | Trip Time |
|--------------------|---------------|
| 100 | No Trip |
| 150 | < 1 Hour |
| 200 | 3.5 - 60 sec |
| 300 | 0.7 - 10 sec |
| 400 | 0.35 - 5 sec |
| 500 | 0.2 - 2.8 sec |
| 600 | 0.1 - 1.8 sec |



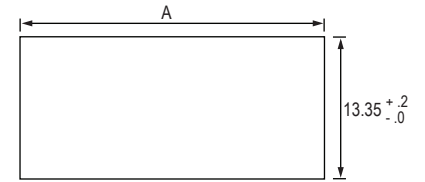
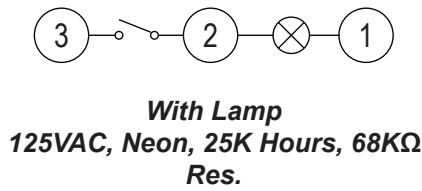
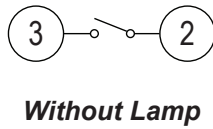
Ordering Information

| | | | | | |
|------------------------|---|----|----|---|---|
| 1. Series | CITR2 | 15 | Q2 | L | S |
| CITR2 | | | | | |
| 2. Contact Ratings | 03 = 3A 10 = 10A 04 = 4A 12 = 12A 05 = 5A 15 = 15A 06 = 6A 20 = 20A 08 = 8A | | | | |
| 3. Termination Options | Q1 = Short quick connects Q2 = Long quick connects | | | | |
| 4. Lamp Options | A = 250VAC neon, translucent red actuator N = No lamp, opaque red actuator L = 125VAC neon, translucent red actuator K = No lamp, translucent red actuator G = 125VAC neon, translucent green actuator H = No lamp, translucent green actuator | | | | |
| 5. Printing Options | None = No printing S = Reset / OFF | | | | |

Dimensions



Schematics, PC Layout & Panel Mounting



| Thickness | Dim "A" | |
|-----------|---------|-------------|
| 0.8 ~ 1.0 | 28.4 | + .1 / - .0 |
| 1.1 ~ 1.4 | 28.8 | + .1 / - .0 |
| 1.5 | 29.0 | + .1 / - .0 |

Ambient Temperature Compensation Table

| Ambient Temperature in °C | Rating Correction Factor 3A~20A |
|---------------------------|------------------------------------|
| -20 | x1.7 |
| -5 | x1.2 |
| 10 | x1.1 |
| 20 | x1.05 |
| 25 | x1.0 |
| 30 | x0.9 |
| 40 | x0.8 |
| 50 | x0.7 |
| 60 | x0.6 |
| 85 | x0.45 |